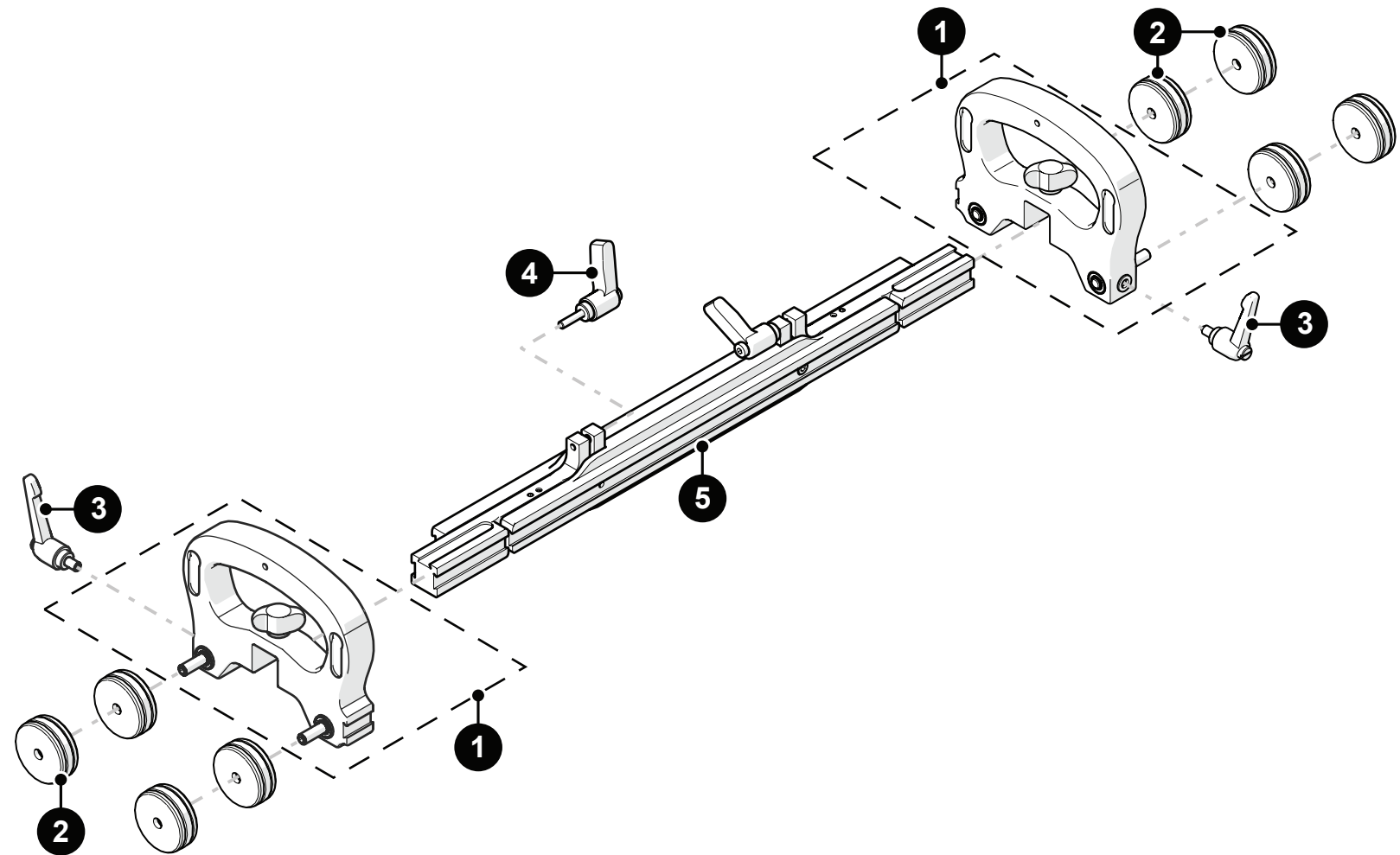


Spare Parts

■ **STIX** SCANNER

BGG009 | BGG010

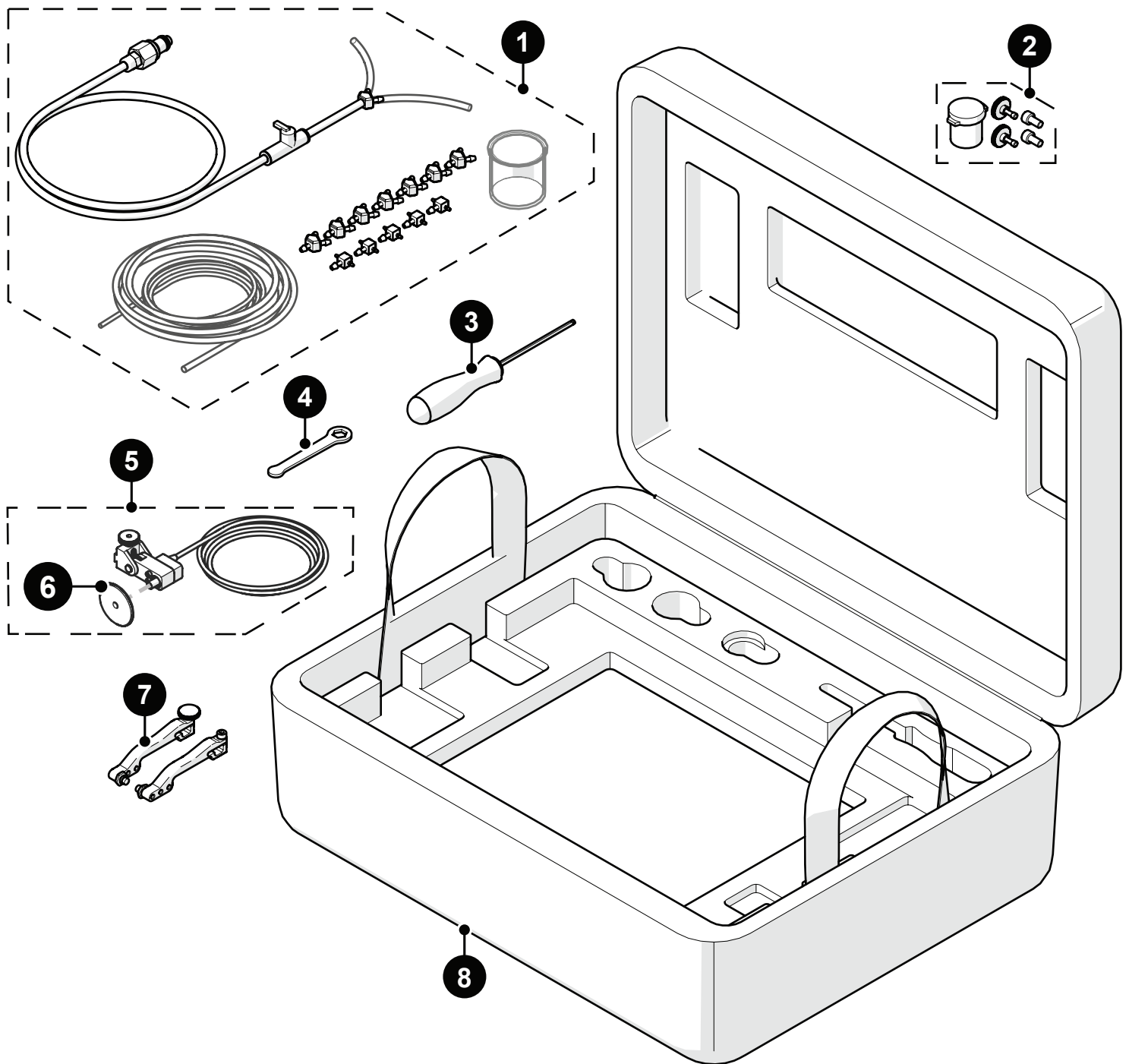


BOM ID	Part #	Description
1	BGS058	Wheel Block with Handle (<i>wheels not included</i>)
2	BTS031	Magnetic Wheel (<i>single</i>)
3	BTS018	Brake Handle
4	EA342	Ratchet Lever
5	BGS065	Dual Pivot Frame Bar, 40 cm (<i>15.74 in</i>)

Spare Parts

■ **STIX** KIT

BGG009 | BGG010



BOM ID	Part #	Description
1	CMG007	Irrigation Kit: 4 mm ID, (7/16 in quick connect)
2	PHG014	Probe Holder Spare Parts Kit
3	EA414	Hex Driver: 3 mm
4	EA470	3/8 in Wrench
5	BGS053-X	Spring-Loaded Encoder (see Encoder Connector Type)
6	BG0069	Encoder Wheel, for spring-loaded encoder
7	PHG012-BYY	Probe Holder Arm Set: Long Drop Arms (see Pivot Button Style)
8	BGA005	STIX Case

Spare Parts








■ STIX KIT

Encoder Connector Type

Connector Type	Company/Instrument	Connector Type	Company/Instrument
B	Olympus OmniScan MX Zetec Topaz	G	Sonotron Isonic 25xx
C	Olympus Focus LT Zetec Z-Scan Eddyfi Ectane 2	U	Sonatest Veo / Prisma
E	Olympus OmniScan SX/MX2/X3 M2M MANTIS/GEKKO LEMO	V	Pragma PAUT
F	TD (<i>Technology Design</i>)	AD	Sonatest Veo / Prisma - Single Axis

NOTE: Additional encoder connector types available. Contact JIREH for more information.

Pivot Button Style

	Pivot Hole Size	Wedge Type		Pivot Hole Size	Wedge Type		
01	8.0 mm (0.32 in)	Olympus PA		02	5.0 mm (0.20 in)	Olympus TOFD	
03	2.7 mm (0.11 in)	Sonatest DAAH PA		04	9.5 mm (0.38 in)	-	
06	3.0 mm (0.12 in)	-		07	2.3 mm (0.09 in)	-	
08	Conical Head	-		09	5 mm (0.20 in) Internal	Zetec PA/TOFD	