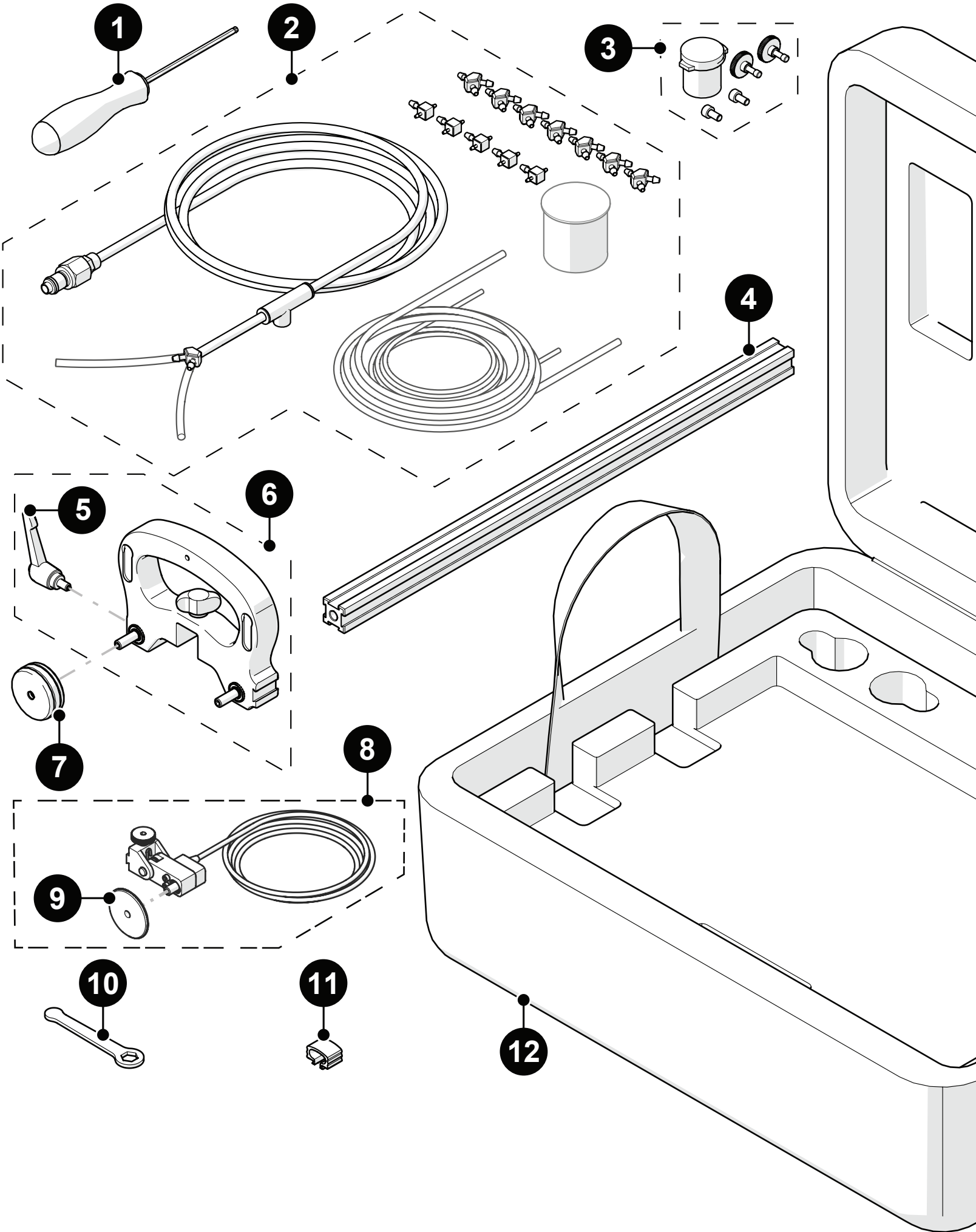


# Spare Parts

■ **STIX** KIT

BGG002 | BGG003



# Spare Parts

■ STIX

BGG002 | BGG003

BOM ID	Part #	Description
1	EA414	3 mm hex driver
2	CMG007	Irrigation kit, 2-4 probe
3	PHG014	2 probe spare parts kit
4	BG0038-40	Frame bar, 40 cm (15.7 in) (see frame bars)
5	BTS018	Brake handle
6	BGS058	Wheel block with handle (magnetic wheels not included)
7	BTS031	Magnetic wheel
8	BGS053-X-05	Spring-loaded encoder (see Encoder Connector Type)
9	BG0069	Encoder wheel, for spring-loaded encoder
10	EA470	3/8 in wrench
11	BG0091	Cable clip
12	BGA005	STIX case

## Encoder Connector Type

Connector Type	Company/Instrument	Connector Type	Company/Instrument
B	Olympus OmniScan MX Zetec Topaz	G	Sonotron Isonic 25xx
C	Olympus Focus LT Zetec Z-Scan Eddyfi Ectane 2	U	Sonatest Veo / Prisma
E	Olympus OmniScan SX/MX2/X3 M2M MANTIS/GEKKO LEMO	V	Pragma PAUT
F	TD (Technology Design)	AD	Sonatest Veo / Prisma - Single Axis

**NOTE:** Additional encoder connector styles are available.  
(contact Jireh Industries Ltd. on page 1 for details)

## Frame Bars

Part #	Length	Part #	Length
BG0038-05	5 cm (1.97 in)	BG0038-10	10 cm (3.94 in)
BG0038-15	15 cm (5.91 in)	BG0038-20	20 cm (7.87 in)
BG0038-25	25 cm (9.84 in)	BG0038-30	30 cm (11.81 in)
BG0038-35	35 cm (13.78 in)	BG0038-40	40 cm (15.75 in)
BG0038-45	45 cm (17.72 in)	BG0038-50	50 cm (19.69 in)
BG0038-55	55 cm (21.65 in)		

Edmonton Office: 780.922.4534  
Houston Office: 832.564.0626  
Rotterdam Office: +31 85 002 0801

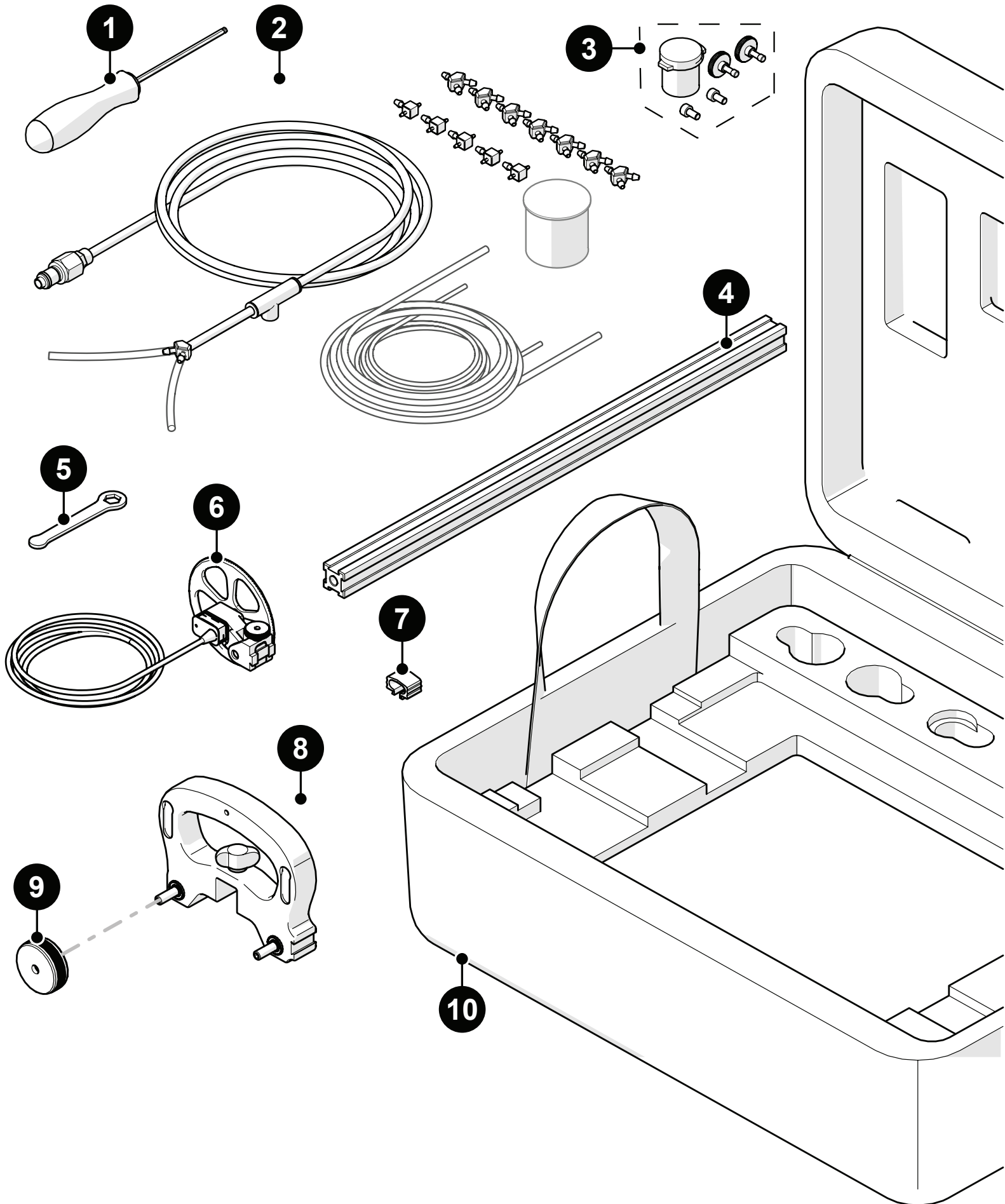
Email: [info@jireh.com](mailto:info@jireh.com)  
Web: [jireh.com](http://jireh.com)

 JIREH

# Spare Parts

■ STIX

BGG014



Edmonton Office: 780.922.4534  
Houston Office: 832.564.0626  
Rotterdam Office: +31 85 002 0801

Email: [info@jireh.com](mailto:info@jireh.com)  
Web: [jireh.com](http://jireh.com)

 **JIREH**

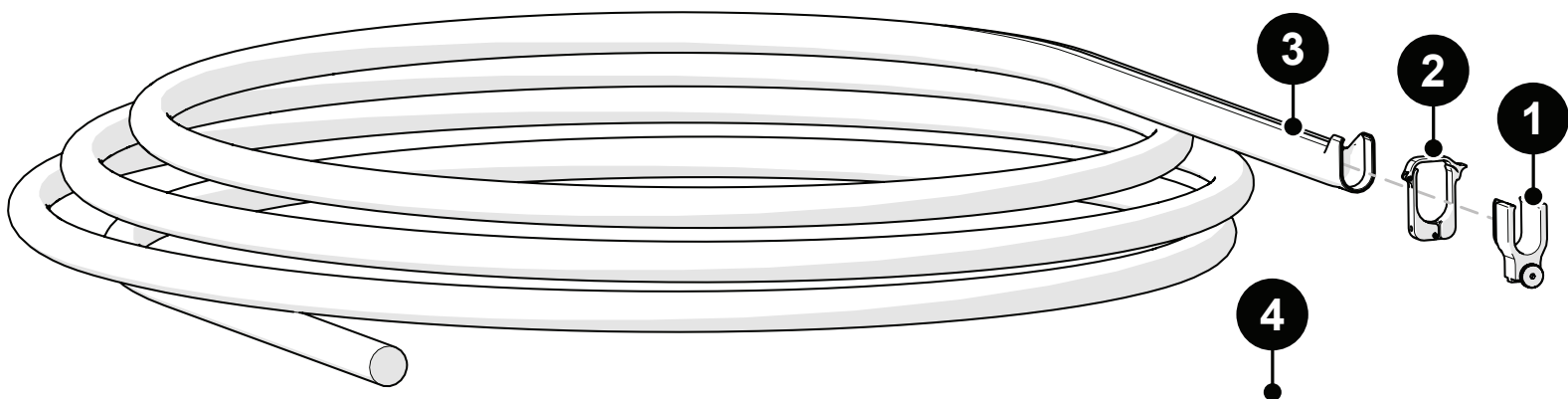
# Spare Parts

■ STIX

BGG0014

BOM ID	Part #	Description
1	EA414	3 mm hex driver
2	CMG007	Irrigation kit, 2-4 probe
3	PHG014	2 probe spare parts kit
4	BG0038-40	Frame bar, 40 cm ( <i>see frame bars</i> )
5	EA470	3/8 in wrench
6	BGS071-	High temperature spring-loaded encoder ( <i>see Encoder Connector Type</i> )
7	BG0108	High temperature encoder wheel, for high temperature spring-loaded encoder
8	BG0091	Cable clip
9	BGS058	Wheel block with handle ( <i>wheels not included</i> )
10	BTS052	High temperature magnetic wheel
11	BGA005	STIX case

## High Temperature Cable Management



BOM ID	Part #	Description
1	CES090	High Temperature Cable Management Mount
2	CXS114	High Temperature Cable Management Clamp
3	CX0537-04.5	High Temperature Cable Management Sleeving, 4.5 m (14.8 ft)
4	CES089-04.5	High Temperature Cable Management, 4.5 m (14.8 ft)