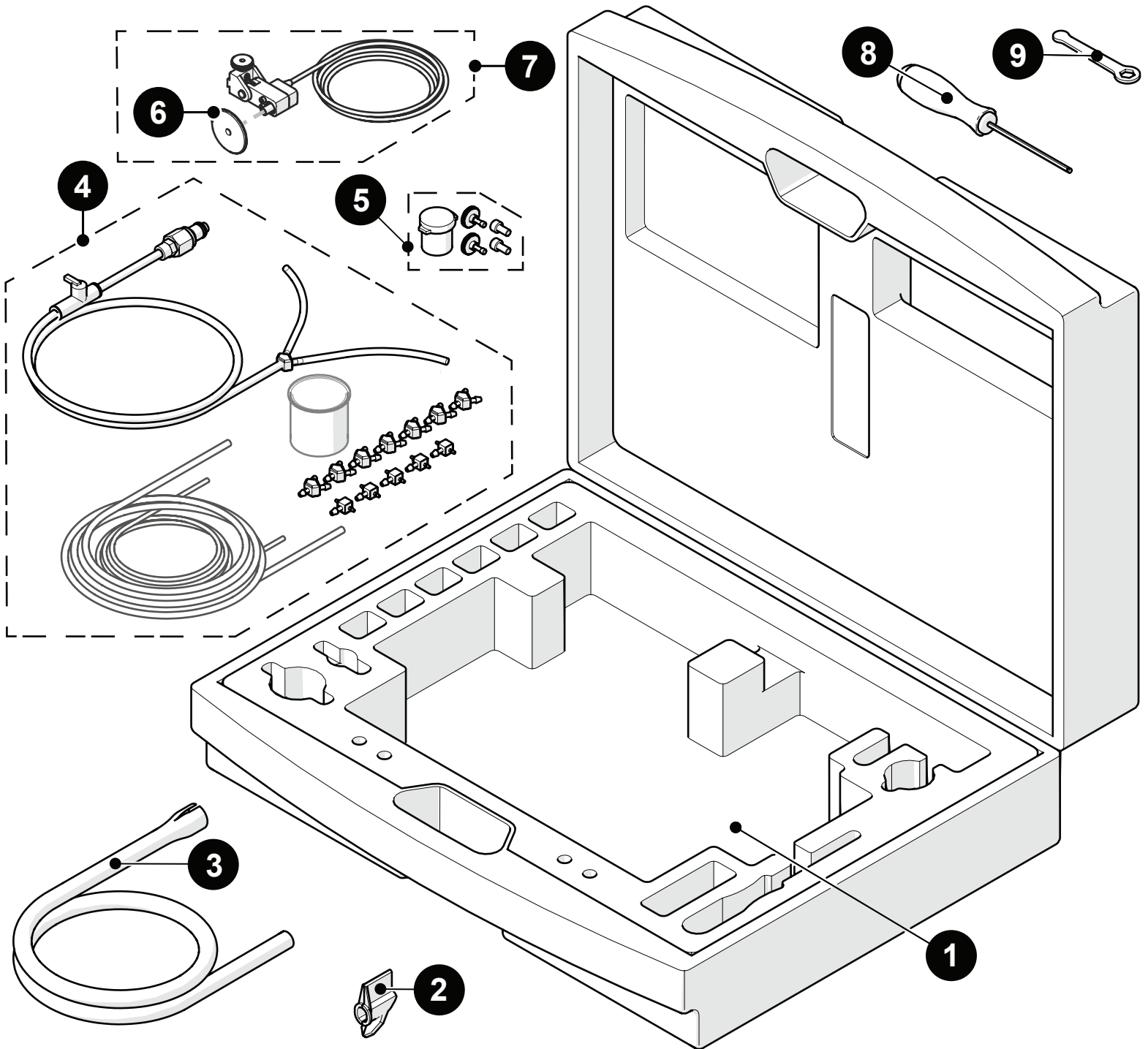


Spare Parts

■ **STIX** KIT

BGG001



| BOM ID | Part # | Description |
|--------|---------------|--|
| 1 | BGA010 | STIX Case, TOFD |
| 2 | EA302 | Loom Installation Tool |
| 3 | CTL-SP040-1.5 | Cable Sleeving |
| 4 | CMG007 | Irrigation Kit, 2-4 Probe |
| 5 | PHG014 | 2 Probe Spare Parts Kit |
| 6 | BG0069 | Encoder wheel, for spring-loaded encoder |
| 7 | BGS053-X | Spring-Loaded Encoder (<i>see Encoder Con. Type</i>) |
| 8 | EA414 | 3 mm Hex Driver |
| 9 | EA470 | 3/8 in Wrench |

Encoder Connector Type

| Connector Type | Company/Instrument | Connector Type | Company/Instrument |
|----------------|---|----------------|-------------------------------------|
| B | Olympus OmniScan MX Zetec Topaz | G | Sonotron Isonic 25xx |
| C | Olympus Focus LT Zetec Z-Scan Eddyfi Ectane 2 | U | Sonatest Veo / Prisma |
| E | Olympus OmniScan SX/MX2/X3 M2M MANTIS/GEKKO LEMO | V | Pragma PAUT |
| F | TD (<i>Technology Design</i>) | AD | Sonatest Veo / Prisma - Single Axis |

NOTE: Additional encoder connector types available. Contact JIREH for more information.