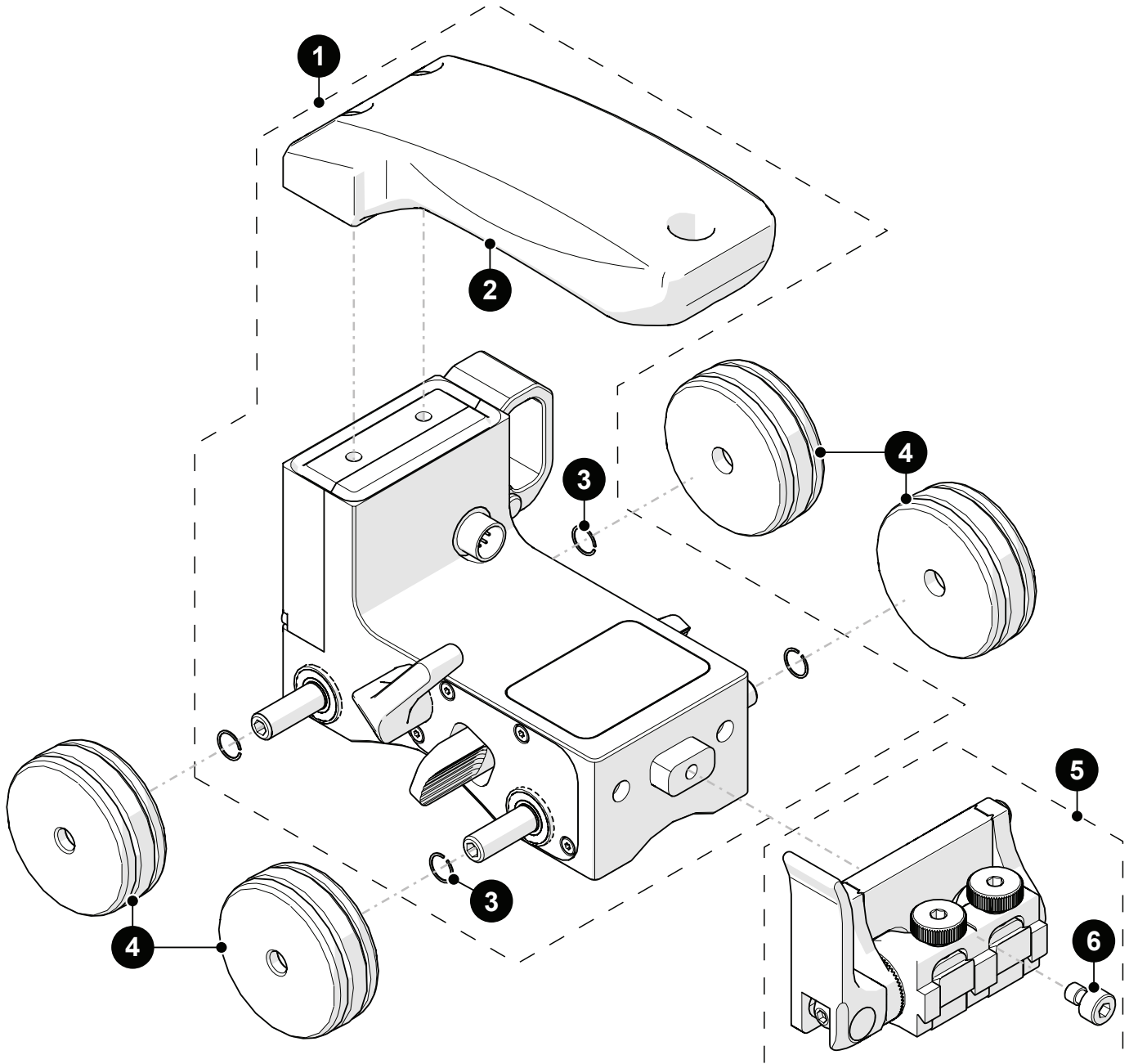


Spare Parts

■ MICROBE

BTG018, BTG019, BTG020

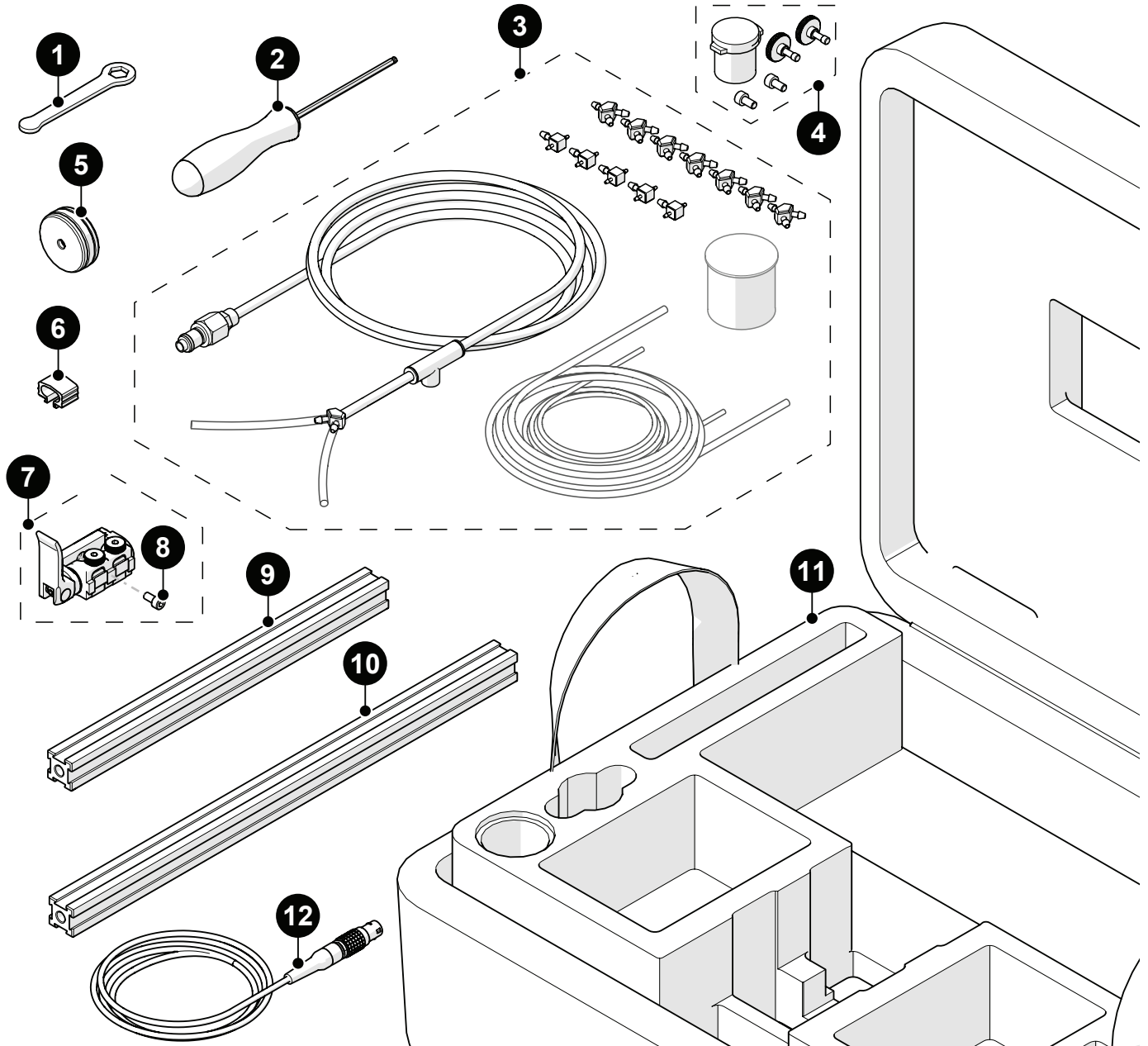


BOM ID	Part #	Description
1	BTS054	Base cart
2	BTS058	MICROBE/ROTIX handle
3	MA042	Axle retaining ring - 6mm
4	BTS031	Magnetic wheel
5	BTS040	MICROBE/ROTIX front pivot
6	MA222	COVER BOLT, M4x6 (3mm THD LENGTH) SHCS TYPE, SST

Spare Parts

■ MICROBE

BTG018, BTG019, BTG020



BOM ID	Part #	Description
1	EA470	10 mm (3/8 in) wrench
2	EA414	Hex driver, 3 mm (0.118 in)
3	CMG007	Irrigation kit, 2-4 probe
4	PHG014	2 probe spare parts kit
5	BTS031	Magnetic wheel
6	BG0091	Cable clip
7	BTS042	MICROBE rear pivot
8	MD050-008	SHCS, M4x0.7 X 8mm, SST
9	BG0038-25	Frame bar, 25 cm (see frame bars)
10	BG0038-35	Frame bar, 35 cm (see frame bars)
11	BTA002	MICROBE case
12	UMA026-_	J100 encoder cable (see Encoder Connector Type)

Spare Parts

■ MICROBE

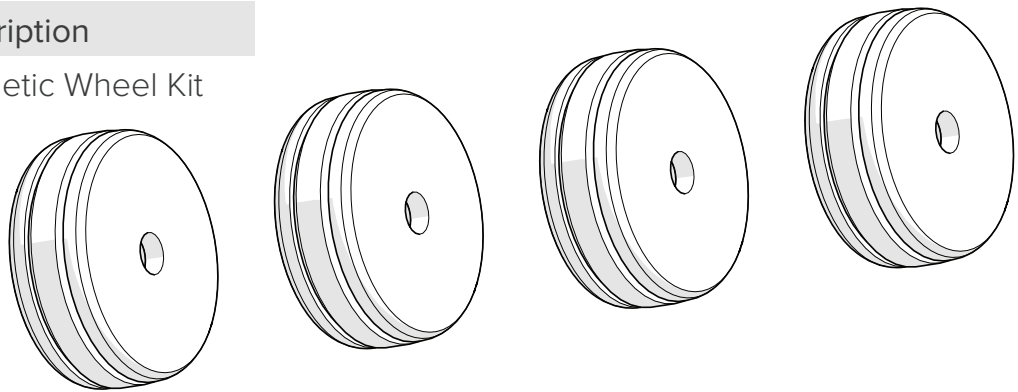
Encoder Connector Style

Connector Type	Company/Instrument	Connector Type	Company/Instrument
B	Olympus OmniScan MX Zetec Topaz	G	Sonotron Isonic 25xx
C	Olympus Focus LT Zetec Z-Scan Eddyfi Ectane 2	U	Sonatest Veo / Prisma
E	Olympus OmniScan SX/MX2/X3 M2M MANTIS/GEKKO LEMO	V	Pragma PAUT
F	TD (<i>Technology Design</i>)	AD	Sonatest Veo / Prisma - Single Axis

NOTE: Additional encoder connector styles are available.
(contact Jireh Industries Ltd. on page 1 for details)

Magnetic Wheel Kit

Part #	Description
BTG014	Magnetic Wheel Kit



Frame Bars

Part #	Length	Part #	Length
BG0038-05	5 cm (1.97 in)	BG0038-10	10 cm (3.94 in)
BG0038-15	15 cm (5.91 in)	BG0038-20	20 cm (7.87 in)
BG0038-25	25 cm (9.84 in)	BG0038-30	30 cm (11.81 in)
BG0038-35	35 cm (13.78 in)	BG0038-40	40 cm (15.75 in)
BG0038-45	45 cm (17.72 in)	BG0038-50	50 cm (19.69 in)
BG0038-55	55 cm (21.65 in)		