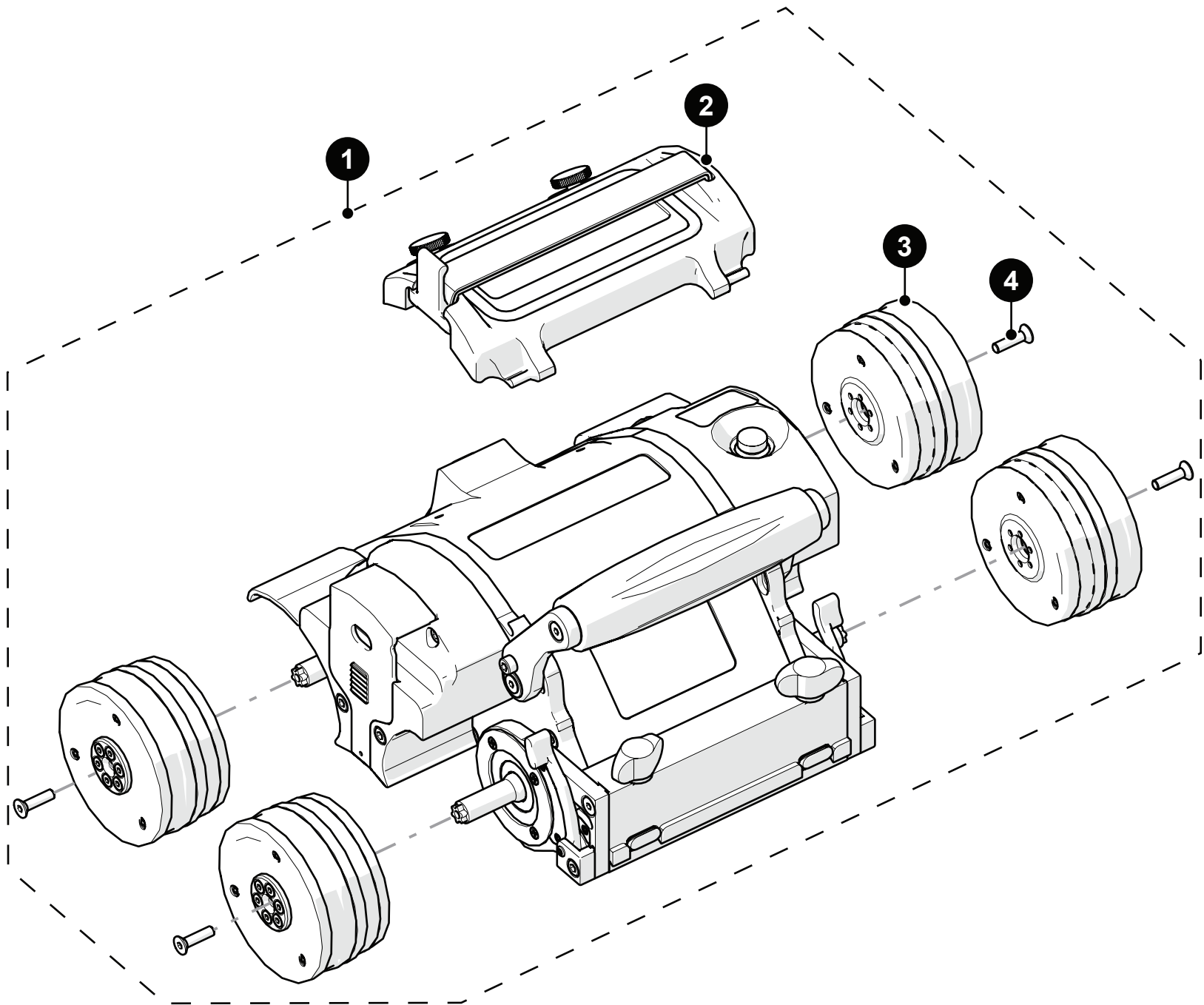


# Spare Parts

■ **SKOOT** CRAWLER

DNG001-



BOM ID	Part #	Description
1	DNA004	SKOOT Crawler
2	DNS008	Backpack
3	CXS005	Magnetic Wheel
4	MD029-016	FHCS, M4x0.7 X 12 mm, SST

Edmonton Office: 780.922.4534  
Houston Office: 832.564.0626  
Rotterdam Office: +31 85 002 0801

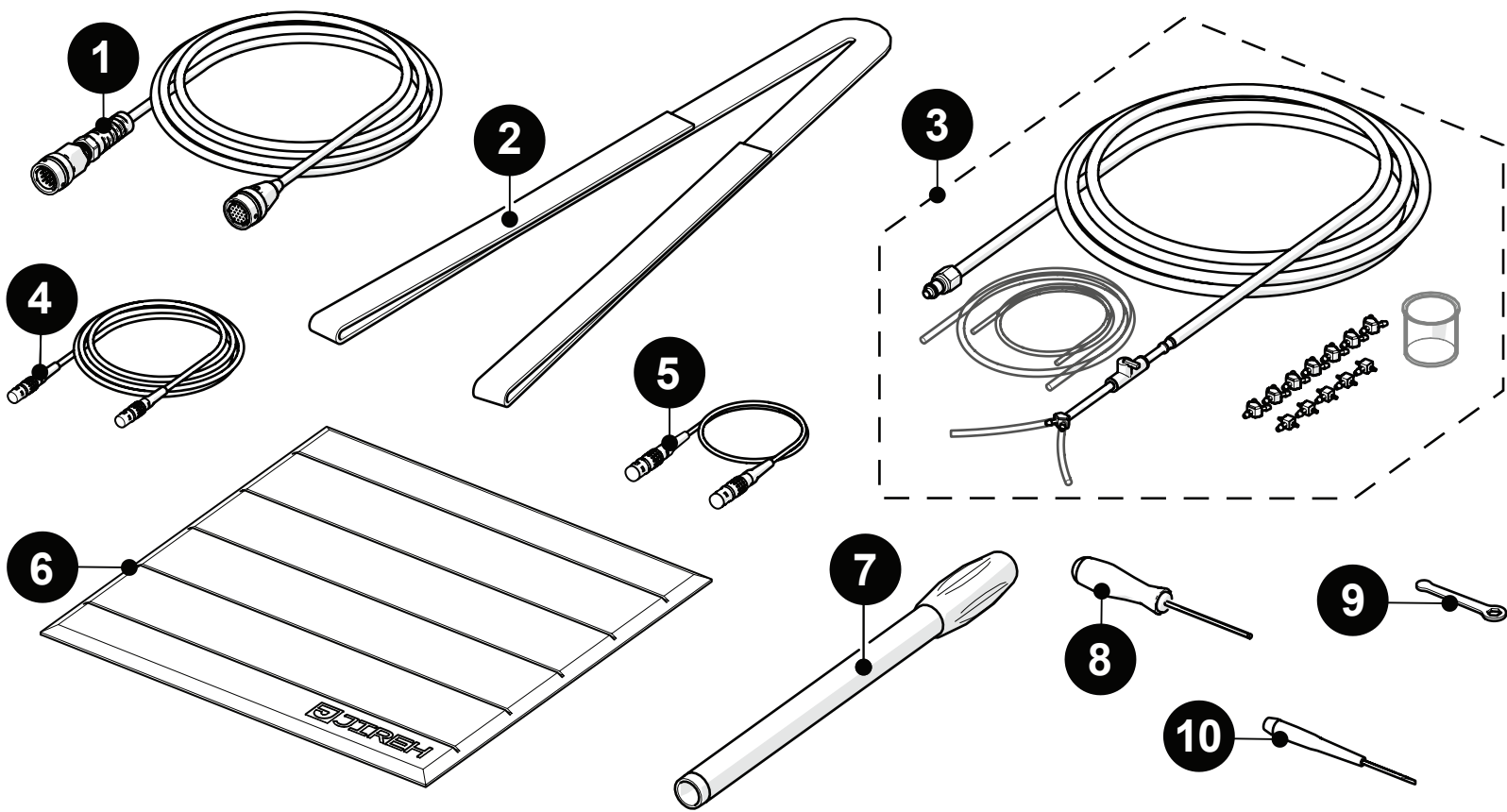
Email: [info@jireh.com](mailto:info@jireh.com)  
Web: [jireh.com](http://jireh.com)

 **JIREH**

# Spare Parts

## SKOOT KIT

DNG001-

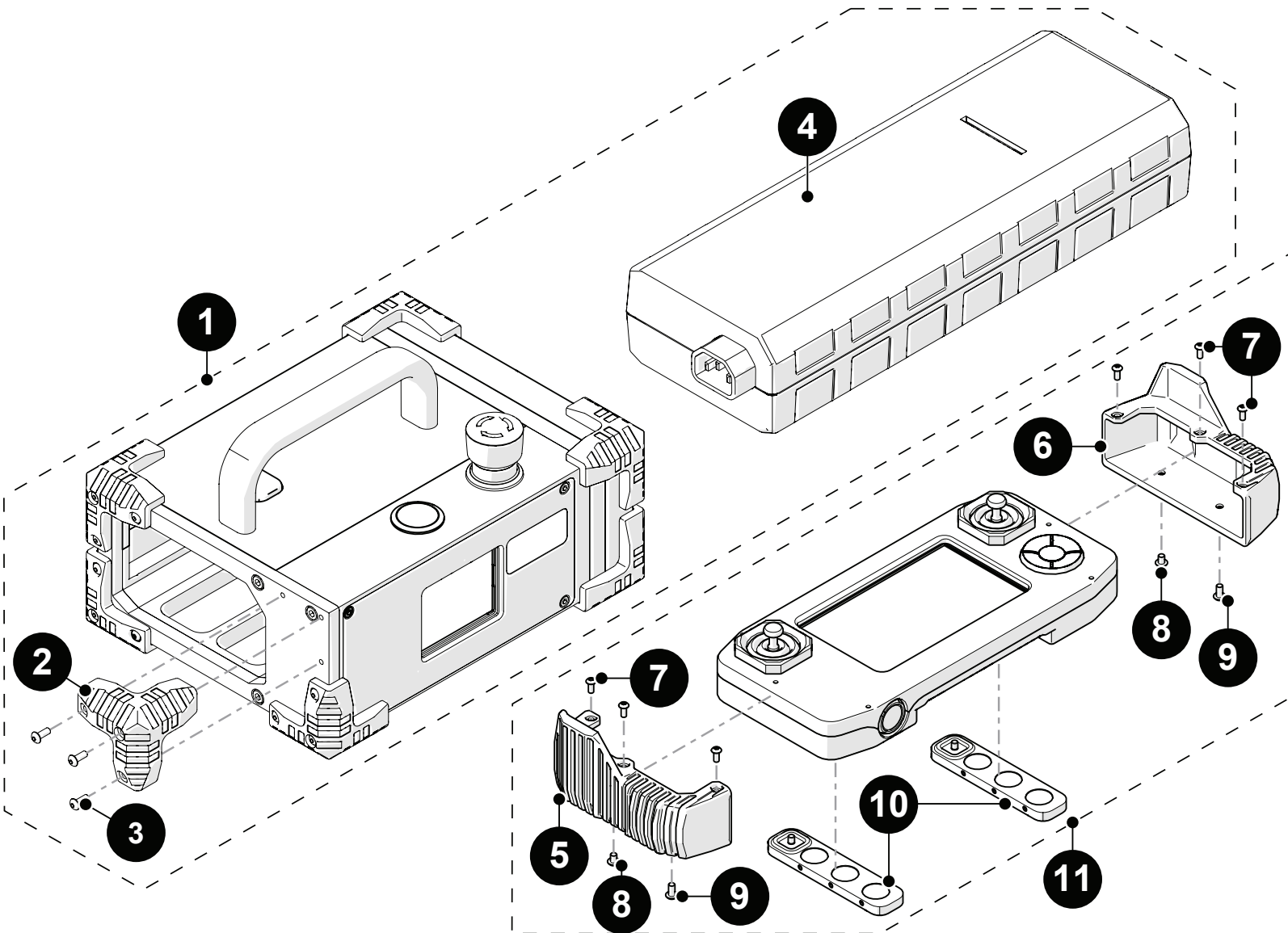


BOM ID	Part #	Description
1	UMA022-X	Umbilical (various lengths available)
2	EA243	Sling
3	CMG009-X	Irrigation Kit, 2-4 Probe, Large Tube (Various lengths available)
4	UMA017-06	Auxiliary Cable, 6 m (19.7 ft)
5	UMA025-X-05	J300 Encoder Cable (see Encoder Connector Type)
6	AAS061	Installation/Removal Mat
7	DNS006	Manipulation Handle
8	EA414	3 mm (0.188 in) Hex Driver
9	EA470	10 mm (3/8 in) Wrench
10	EA480	3 mm (0.118 in) Flat Driver

# Spare Parts

## ■ SKOOT KIT

DNG001-



BOM ID	Part #	Description
1	CXA040-	Power controller (see Power Cord Type)
2	DY0011	Rubber bumper
3	MD072-008	BHCS, M3x0.5 X 8mm, SST
4	CXS122	Power supply
5	DM0088-L	Handheld controller bumper (left)
6	DM0088-R	Handheld controller bumper (right)
7	MD409-006	BHCS-TX, M2.5x0.5 X 6mm ISO 7380-1 A2
8	MD411-004	BHCS-TX, M3x0.5 X 4mm ISO 7380-1 A2
9	MD411-006	BHCS-TX, M3x0.5 X 6mm ISO 7380-1 A2
10	DMS005	Handheld controller magnet holder
11	DMA006	Handheld controller

# Spare Parts

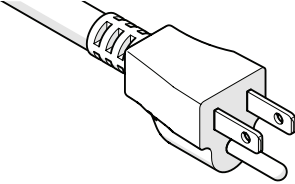
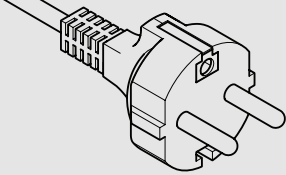
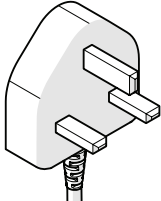
## ■ SKOOT KIT

### Encoder Connector Type

Connector Type	Company/Instrument	Connector Type	Company/Instrument
B	Olympus OmniScan MX Zetec Topaz	G	Sonotron Isonic 25xx
C	Olympus Focus LT Zetec Z-Scan Eddyfi Ectane 2	U	Sonatest Veo / Prisma
E	Olympus OmniScan SX/MX2/X3 M2M MANTIS/GEKKO LEMO	V	Pragma PAUT
F	TD ( <i>Technology Design</i> )	AD	Sonatest Veo / Prisma - Single Axis

**NOTE:** Additional encoder connector types available.

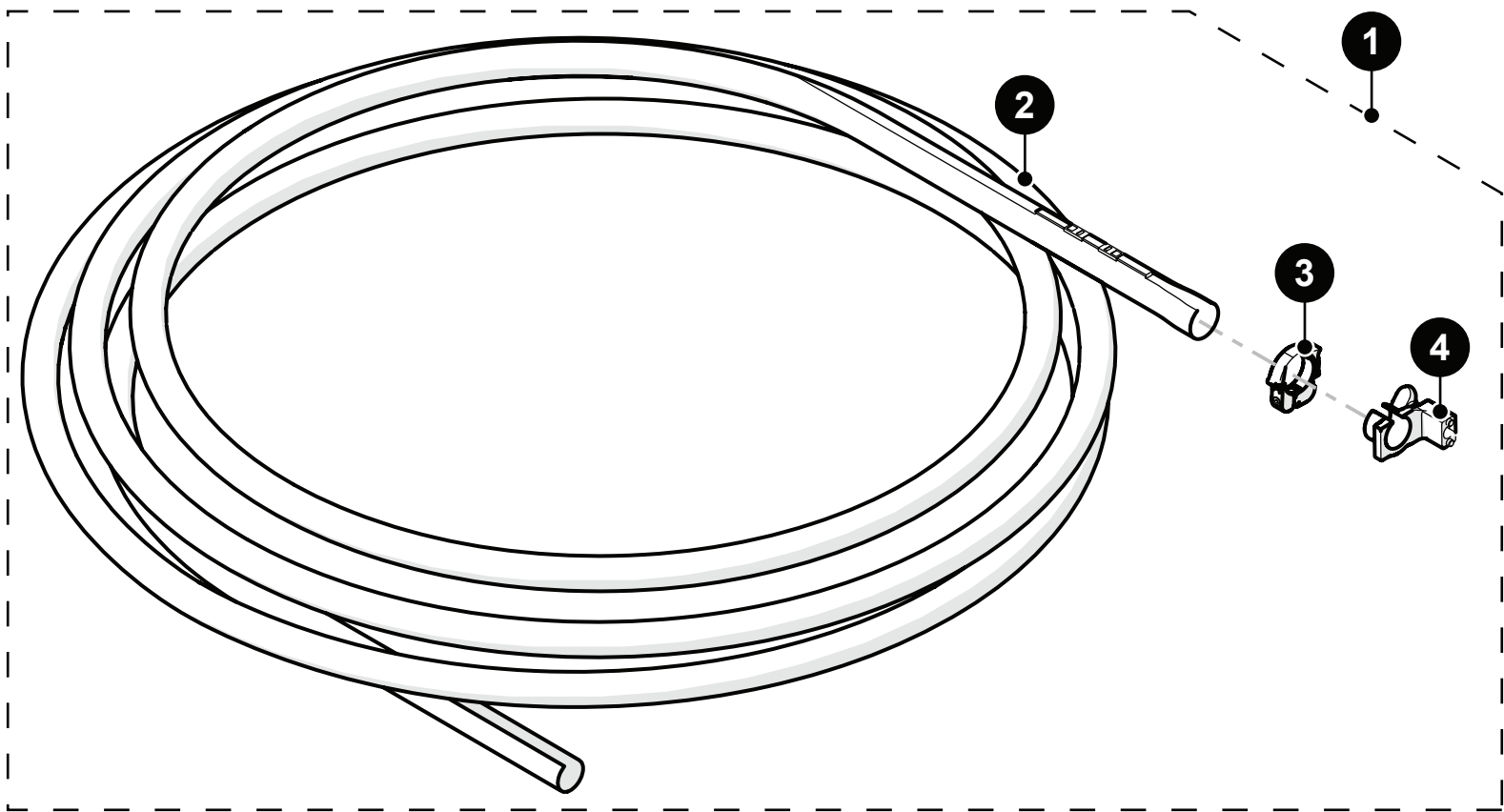
### Power Cord Type

Connector Type	Part #	Power Cord	
N	SL032	North American	
E	SL039	European	
U	SL059	United Kingdom	
Z		No Cord	

# Spare Parts

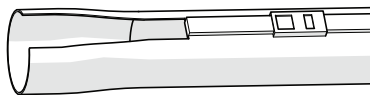
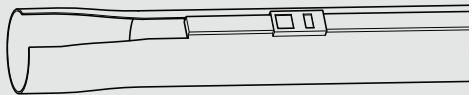
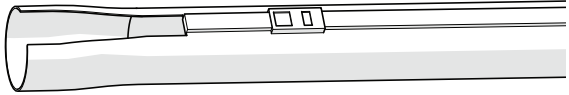
## ■ SKOOT KIT

### Cable Management



BOM ID	Part #	Description
1	CXS046-X	Cable Management, Threaded Mount ( <i>see Cable Management Sleeving, Length</i> )
2		<i>see Cable Management Sleeving</i>
3	CES066	Cable management clamp
4	CXS073	Cable management mount, threaded mount

### Cable Management Sleeving

Length	Part #	Description	
04.5	CX0141	4.5 m (14.8 ft)	
09.5	CX0145	9.5 m (31.2 ft)	
14.5	CX0146	14.5 m (47.6 ft)	
29.5	CX0147	29.5 m (96.8 ft)	